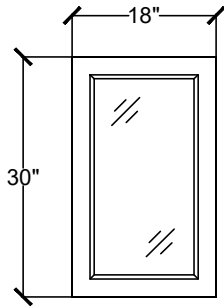
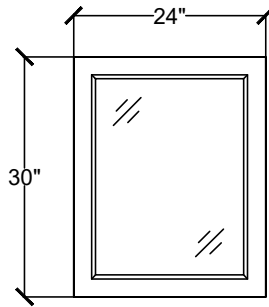


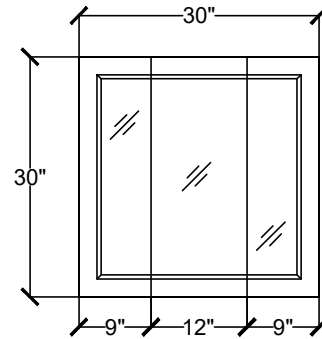
MEDICINE CABINETS



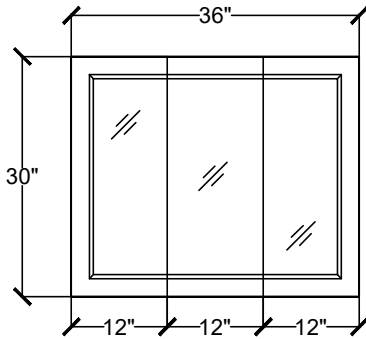
LINMC 1830-\_\_\_\_-\_\_\_\_



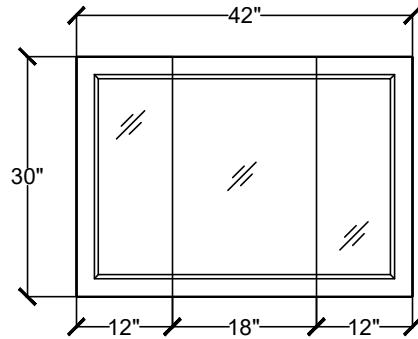
LINMC 2430-\_\_\_\_-\_\_\_\_



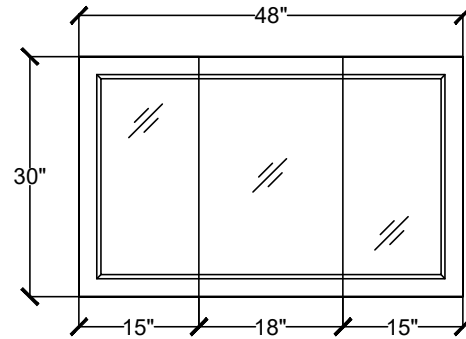
LINMC 3030-\_\_\_\_-\_\_\_\_



LINMC 3630-\_\_\_\_-\_\_\_\_



LINMC 4230-\_\_\_\_-\_\_\_\_



LINMC 4830-\_\_\_\_-\_\_\_\_